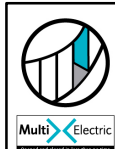
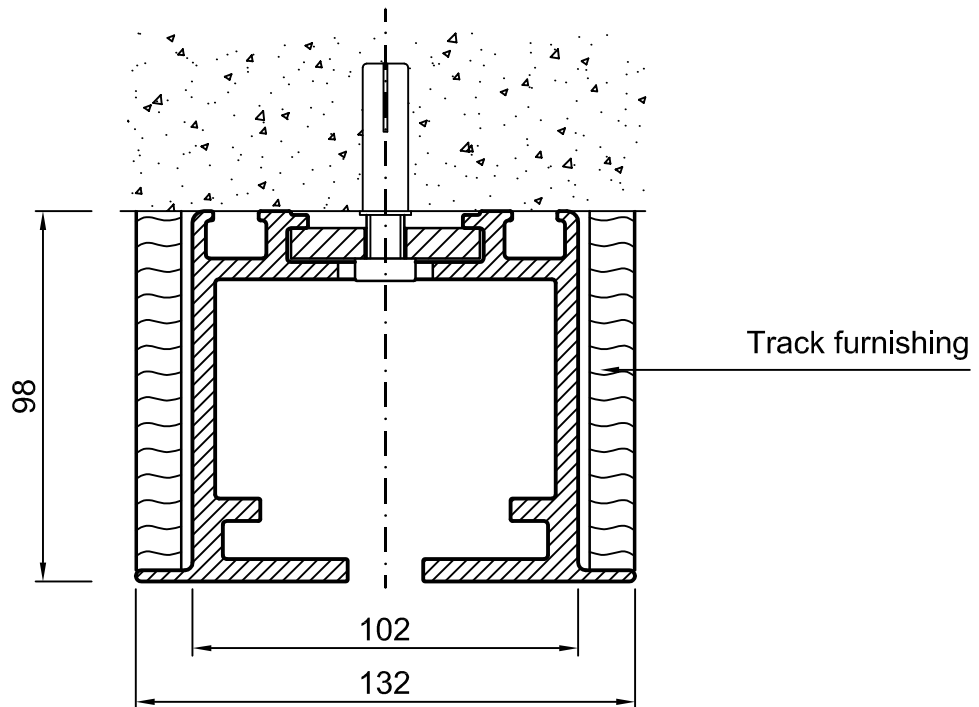
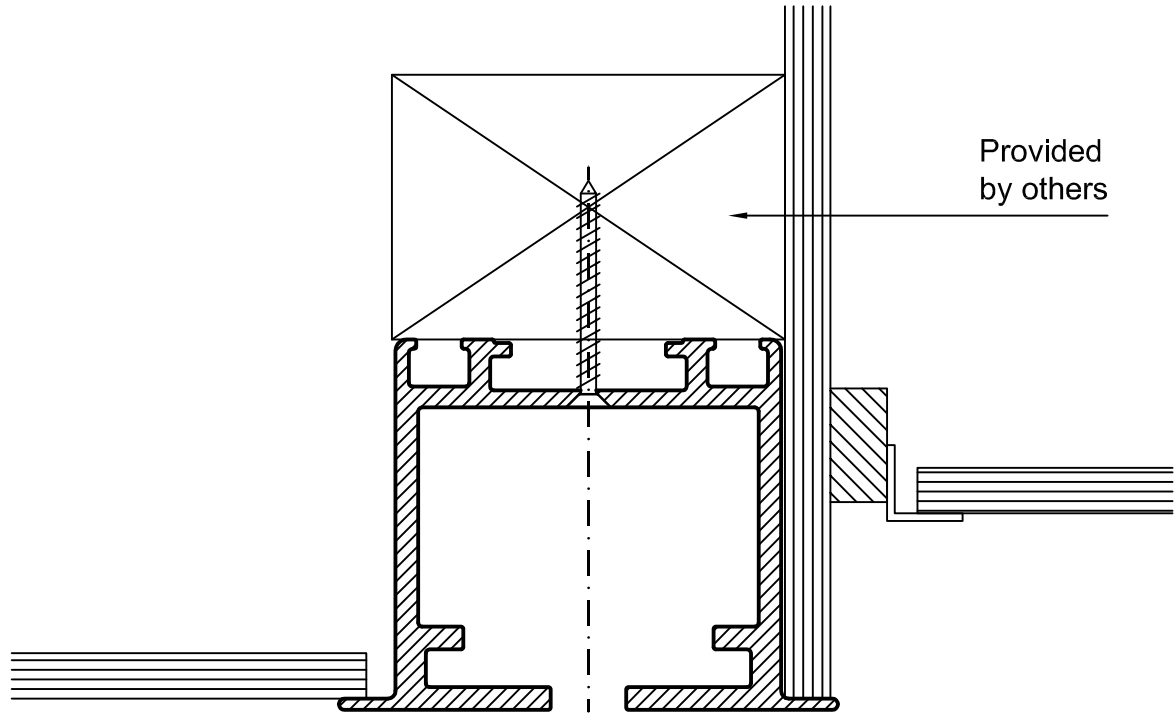


Installation into wood/steel or concrete depending on constructional situation



Niche
Moveable Walls



1- or 2-Point suspension MR-S Track (Standard RAL 9010)

Drawn	Date	Name	Order number :
Checked	14-10-'10	AvdH	
Scale :	1:2		Customer :
			Project :
Drawing number :	Sheet :	Projection	A4
16	16 of 19		

Niche Operable Systems Ltd. 460 Manchester Road T: +44 (0)1204 381 552 E: enquiries@folding-partitions.co.uk
Darbyshire House Bolton, BL3 2NU F: +44 (0)1204 381 556 www.folding-partitions.co.uk