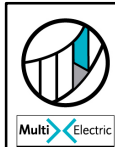
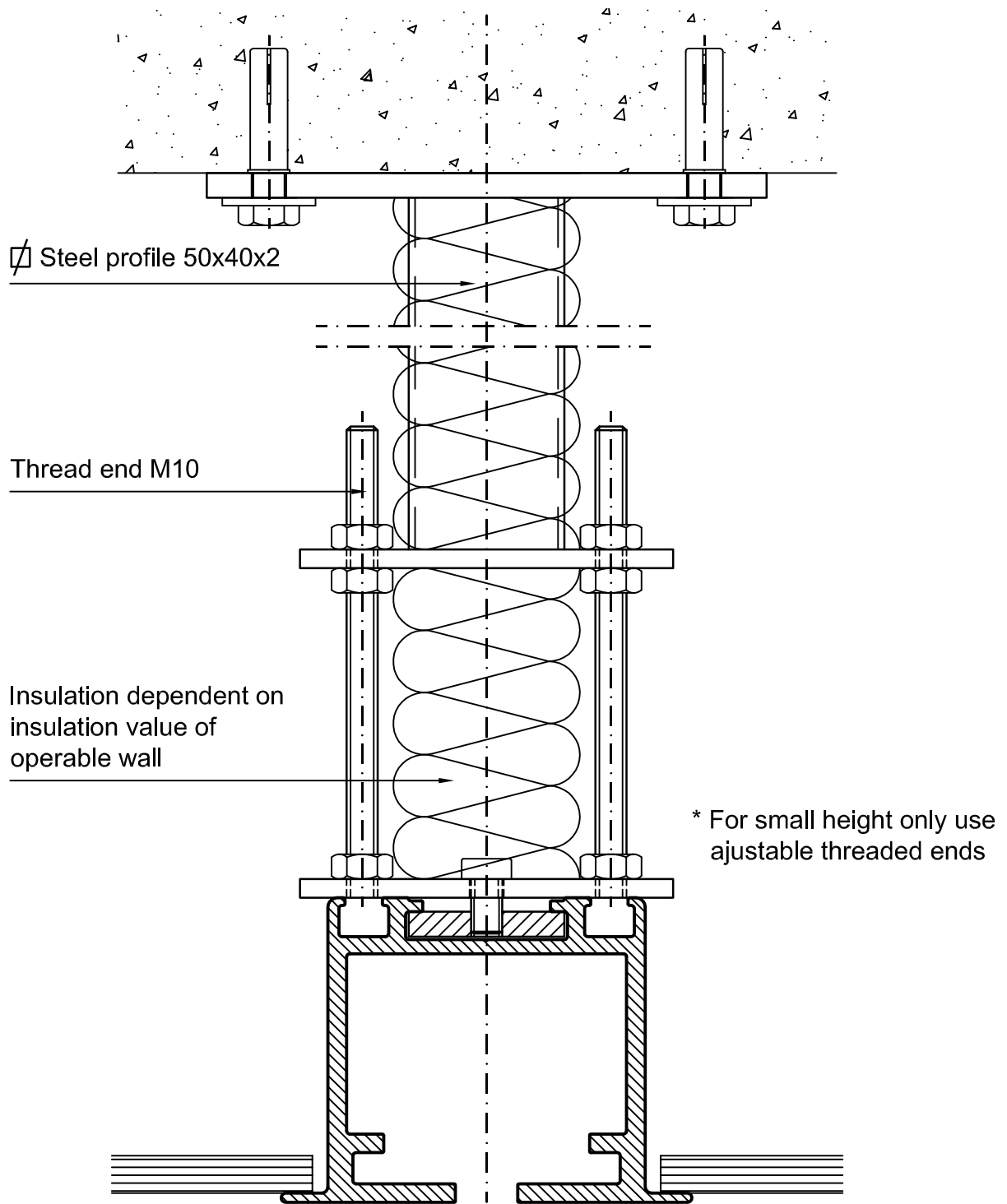


Installation into wood/steel or concrete depending on constructional situation



**Niche**  
Moveable Walls



1- or 2- Point suspension with sound-barrier MR-S Track

Drawn	Date	Name	Order number :
Checked	14-10-10	AvdH	Customer :
Scale :	1:2		Project :
Drawing number :		Sheet :	Projection
19		19 of 19	A4

Niche Operable Systems Ltd. 460 Manchester Road T: +44 (0)1204 381 552 E: enquiries@folding-partitions.co.uk  
Darbyshire House Bolton, BL3 2NU F: +44 (0)1204 381 556 www.folding-partitions.co.uk